



# > MaalonDrive®

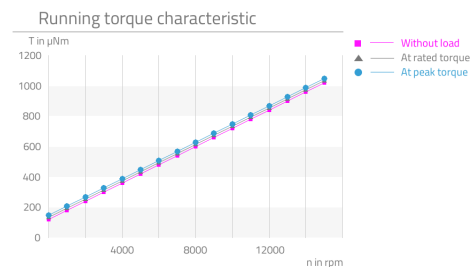
## UHV 8mm - Type 2

### Attributes

Highlights	Description
<ul style="list-style-type: none"> <li>▪ <b>Fast delivery</b></li> <li>▪ <b>High repeatability</b></li> <li>▪ <b>Zero backlash with optimised fit between speed and transmission ratio</b></li> <li>▪ <b>Vacuum suitable lubrication</b></li> <li>▪ <b>Preloaded ball bearing</b></li> </ul>	<p>The MaalonDrive® UHV 8mm - type 2 micro gearbox is a precise and reliable solution for applications in extreme environmental conditions. It is specially designed for use in high-vacuum environments and uses Braycote as a lubricant for the ball bearings as well as for the gear component set. Both the input shaft as well as the output shaft are precisely guided by preloaded ball bearings and thereby allow the application to be directly connected. At the core of this micro gearbox is a zero-backlash MaalonDrive® gear with a reduction ratio of 160:1.</p>

### Technical parameter

P-029



# Technical Supply Specifications: MaalonDrive® UHV 8mm - Type 2



Micromotion GmbH, Phone: +49 (0) 6431 – 569 18 – 25, E-mail: sales@micromotion.de

Nr.	Parameter	Symbol	Value	Hint
P-001	Vacuum suitable		HV	
P-003	Ratio	i	160 : 1	
P-004	Self-locking		yes	
P-006	Hollow shaft		1	
P-008	Repeatability unidirectional		22.5 arcsec	
P-009	Repeatability bidirectional		30 arcmin	
P-010	Accuracy		14 arcmin	
P-011	Transmission accuracy		28 arcmin	
P-013	Torsional stiffness		2.29 $\frac{\text{Nm}}{\text{rad}}$	
P-014	Lost motion		22.5 arcmin	
P-015	Backlash		0 arcmin	
P-016	Rated torque	T	3 mNm	
P-017	Peak torque	T	6 mNm	
P-018	Momentary peak torque	T	20 mNm	
P-021	Rated input speed	n	10000 rpm	
P-022	Maximum input speed	n	30000 rpm	
P-023	Rated output speed	n	62.5 rpm	
P-024	Maximum output speed	n	187.5 rpm	
P-026	No-load starting torque	T	180 $\mu\text{Nm}$	
P-027	No-load running torque	T	120 $\mu\text{Nm}$	
P-028	Rated running torque	T	780 $\mu\text{Nm}$	
P-034	Lifetime for rated operation		500 h	
P-035	Radial backlash output shaft		0 $\mu\text{m}$	
P-036	Axial backlash output shaft		0 $\mu\text{m}$	
P-037	Radial stiffness	c	0.87 N/ $\mu\text{m}$	
P-038	Axial stiffness	c	18.5 $\frac{\text{N}}{\text{m}}$	
P-039	Max. radial load on output shaft (non-operating, constant load)	F	20 N	
P-040	Max. radial load on output shaft (non-operating, impulsive load)	F	5 N	
P-041	Max. radial load on output shaft (operating, constant load)	F	3 N	
P-042	Max. radial load on output shaft (operating, impulsive load)	F	3 N	
P-043	Max. axial load on output shaft (non-operating, constant	F	64 N	

# Technical Supply Specifications: MaalonDrive® UHV 8mm - Type 2



Micromotion GmbH, Phone: +49 (0) 6431 – 569 18 – 25, E-mail: sales@micromotion.de

Nr.	Parameter	Symbol	Value	Hint
P-044	Max. axial load on output shaft (non-operating, impulsive load)	F	20 N	
P-045	Max. axial load on output shaft (operating, constant load)	F	185 N	
P-046	Max. axial load on output shaft (operating, impulsive load)	F	66 N	
P-047	Max. radial load on input shaft (non-operating, constant load)	F	25 N	
P-048	Max. radial load on input shaft (non-operating, impulsive load)	F	8 N	
P-049	Max. radial load on input shaft (operating, constant load)	F	11 N	
P-050	Max. radial load on input shaft (operating, impulsive load)	F	8 N	
P-051	Max. axial load on input shaft (non-operating, constant load)	F	49 N	
P-052	Max. axial load on input shaft (non-operating, impulsive load)	F	15 N	
P-053	Max. axial load on input shaft (operating, constant load)	F	147.5 N	
P-054	Max. axial load on input shaft (operating, impulsive load)	F	61 N	
P-055	Moment of inertia	I	$28 * 10^{-4} \text{ gcm}^2$	
P-056	Weight	m	4 g	
P-057	Min. permissible ambient temperature (non-operating)	T	-80 °C	
P-058	Min. permissible ambient temperature (operating)	T	-10 °C	
P-059	Max. permissible ambient temperature (non-operating)	T	150 °C	
P-060	Max. permissible ambient temperature (operating)	T	120 °C	

## Material information

Nr.	Parameter	Symbol	Value	Hint
P-900	RoHS compliant		yes	
P-901	Lubrication of output bearing gearbox		Braycote601EF	
P-902	Lubrication of input bearing gearbox		Braycote601EF	
P-903	Lubrication of gear component set		Braycote601EF	
P-908	Material of gear component set		NiFe	
P-909	Material of output bearing gearbox		1.4108 DIN EN	

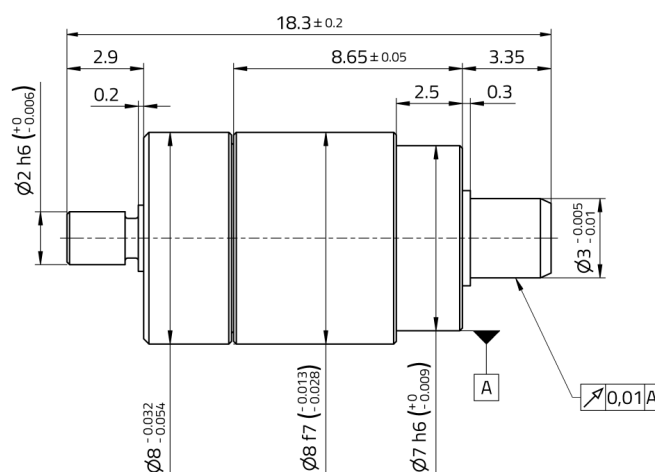
# Technical Supply Specifications: MaalonDrive® UHV 8mm - Type 2



Micromotion GmbH, Phone: +49 (0) 6431 – 569 18 – 25, E-mail: sales@micromotion.de

Nr.	Parameter	Symbol	Value	Hint
P-910	Material of input bearing gearbox		1.4108 DIN EN	
P-912	Material of gearbox output side		1.4305 DIN EN	
P-913	Material of gearbox input side		1.4305 DIN EN	

## Technical drawing



Micromotion GmbH | Hoenbergstraße 14 | 65555 Limburg  
+49(0)6431-59618-25 | sales@micromotion.de | www.micromotion-drives.com