



Attributes

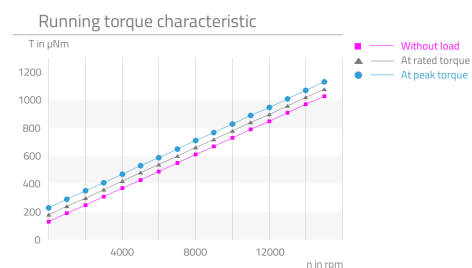
Highlights	Description
<ul style="list-style-type: none">▪ Fast delivery▪ High repeatability▪ Zero backlash with high transmission ratio▪ Preloaded ball bearing▪ Lifetime lubrication	<p>The MaalonDrive® UHV 8mm - type 3 micro positioning gear was specially designed for vacuum use and is characterised, in particular, by very small outer dimensions. For use in ultra-high-vacuum environments, Fomblin is used as lubricant in both the ball bearings and in the gear component set. Input and output shaft are precisely guided by preloaded ball bearings, thereby making it possible to directly connect the application. A zero-backlash MaalonDrive® gear component set with a reduction ratio of 500:1 forms the heart of this precise and high-reduction gear.</p>

Technical parameter

The stated values are based on calculations and measurements by Micromotion GmbH, carried out according to the current state of the art. You can find our definitions at www.micromotion-drives.com.

For further information please contact sales@micromotion.de.

P-029



Nr.	Parameter	Symbol	Value	Hint
P-001	Vacuum suitable		HV	
P-003	Ratio	i	500 : 1	
P-004	Self-locking		yes	
P-008	Repeatability unidirectional		18 arcsec	
P-009	Repeatability bidirectional		22.5 arcmin	
P-010	Accuracy		12 arcmin	
P-011	Transmission accuracy		24 arcmin	
P-013	Torsional stiffness		2.86 $\frac{\text{Nm}}{\text{rad}}$	
P-014	Lost motion		22.5 arcmin	
P-015	Backlash		0 arcmin	
P-016	Rated torque	T	10 mNm	
P-017	Peak torque	T	20 mNm	
P-018	Momentary peak torque	T	46 mNm	
P-021	Rated input speed	n	10000 rpm	
P-022	Maximum input speed	n	30000 rpm	
P-023	Rated output speed	n	20 rpm	
P-024	Maximum output speed	n	60 rpm	
P-026	No-load starting torque	T	195 µNm	
P-027	No-load running torque	T	130 µNm	

Technical Supply Specifications: MaalonDrive® UHV 8mm - Type 3



Micromotion GmbH, Phone: +49 (0) 6431 – 569 18 – 25, E-mail: sales@micromotion.de

Nr.	Parameter	Symbol	Value	Hint
P-028	Rated running torque	T	860 µNm	
P-034	Lifetime for rated operation		500 h	
P-035	Radial backlash output shaft		0 µm	
P-036	Axial backlash output shaft		0 µm	
P-037	Radial stiffness	c	0.87 N/µm	
P-038	Axial stiffness	c	18.5 ^N /µm	
P-039	Max. radial load on output shaft (non-operating, constant load)	F	20 N	
P-040	Max. radial load on output shaft (non-operating, impulsive load)	F	5 N	
P-041	Max. radial load on output shaft (operating, constant load)	F	3 N	
P-042	Max. radial load on output shaft (operating, impulsive load)	F	3 N	
P-043	Max. axial load on output shaft (non-operating, constant load)	F	64 N	
P-044	Max. axial load on output shaft (non-operating, impulsive load)	F	20 N	
P-045	Max. axial load on output shaft (operating, constant load)	F	185 N	
P-046	Max. axial load on output shaft (operating, impulsive load)	F	66 N	
P-047	Max. radial load on input shaft (non-operating, constant load)	F	25 N	
P-048	Max. radial load on input shaft (non-operating, impulsive load)	F	8 N	
P-049	Max. radial load on input shaft (operating, constant load)	F	11 N	
P-050	Max. radial load on input shaft (operating, impulsive load)	F	8 N	
P-051	Max. axial load on input shaft (non-operating, constant load)	F	49 N	
P-052	Max. axial load on input shaft (non-operating, impulsive load)	F	15 N	
P-053	Max. axial load on input shaft (operating, constant load)	F	147.5 N	
P-054	Max. axial load on input shaft (operating, impulsive load)	F	61 N	
P-055	Moment of inertia	I	29 * 10 ⁻⁴ gcm ²	
P-056	Weight	m	4 g	
P-057	Min. permissible ambient temperature (non-operating)	T	-80 °C	
P-058	Min. permissible ambient temperature (operating)	T	-10 °C	

Technical Supply Specifications: MaalonDrive® UHV 8mm - Type 3



Micromotion GmbH, Phone: +49 (0) 6431 – 569 18 – 25, E-mail: sales@micromotion.de

Nr.	Parameter	Symbol	Value	Hint
P-059	Max. permissible ambient temperature (non-operating)	T	150 °C	
P-060	Max. permissible ambient temperature (operating)	T	120 °C	

Material information

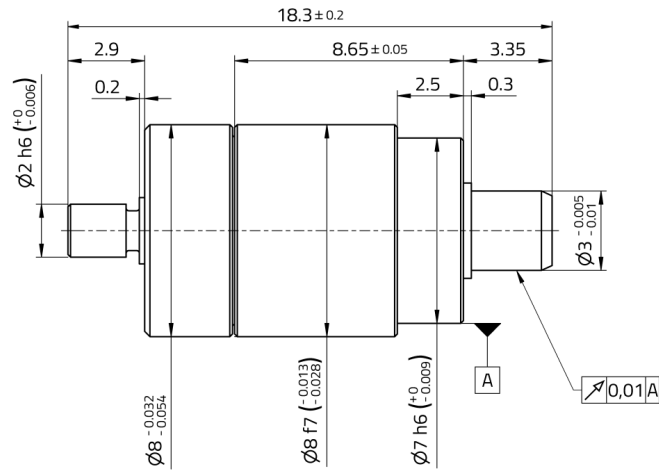
Nr.	Parameter	Symbol	Value	Hint
P-900	RoHS compliant		yes	
P-901	Lubrication of output bearing gearbox		FomblinGRM60	
P-902	Lubrication of input bearing gearbox		FomblinGRM60	
P-903	Lubrication of gear component set		FomblinGRM60	
P-908	Material of gear component set		NiFe	
P-909	Material of output bearing gearbox		1.4108 DIN EN	
P-910	Material of input bearing gearbox		1.4108 DIN EN	
P-912	Material of gearbox output side		1.4305 DIN EN	
P-913	Material of gearbox input side		1.4305 DIN EN	

Technical Supply Specifications: MaalonDrive® UHV 8mm - Type 3



Micromotion GmbH, Phone: +49 (0) 6431 – 569 18 – 25, E-mail: sales@micromotion.de

Technical drawing



Micromotion GmbH | Hoenbergstraße 14 | 65555 Limburg
+49(0)6431-59618-25 | sales@micromotion.de | www.micromotion-drives.com