

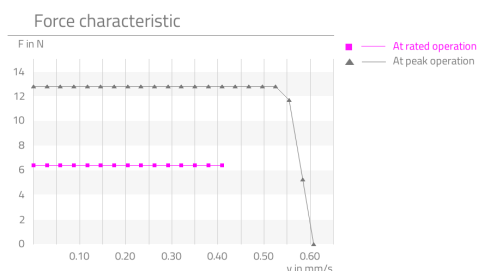


Attributes

Highlights	Description
<ul style="list-style-type: none">▪ Wide travel range▪ Zero backlash at optimised fit between speed and resolution▪ Adapter with thread▪ Integrated limit switches▪ Easy controllability	<p>The RasuunDrive® HighAcc 10mm - type 3 micro positioning system is a precision linear actuator with a travel range of 40 mm. The stepper motor with 20 steps per rotation is combined with an encoder with a resolution of 10 pulses per rotation and is directly connected to a low-backlash CoograDrive® gear with a reduction ratio of 40:1 as well as a spring-loaded, zero-backlash spindle nut system with a pitch of 0.4 mm. The end positions are monitored by two magnetoresistive limit sensors. The mechanical interface for attaching the micro linear actuator system is a centring collar with a diameter of 6 g6; the load is connected via an M3x3.5 thread.</p>

Technical parameter

P-019 Curve measured with 5x nominal voltage and load inertia $6 \cdot 10E-9$ kg/m² in $\frac{1}{4}$ micro steps.



Nr.	Parameter	Symbol	Value	Hint
P-003	Ratio	i	160 : 1	
P-004	Self-locking		yes	
P-005	Travel range	s	40 mm	
P-008	Repeatability unidirectional		1 μ m	
P-009	Repeatability bidirectional		5 μ m	
P-010	Accuracy		20 μ m	
P-012	Resolution		0.125 μ m	
P-014	Lost motion		5 μ m	
P-015	Backlash		0 μ m	
P-016	Rated force	F	6.40529 N	
P-017	Peak force	F	12.8106 N	
P-018	Momentary peak force	F	29.4643 N	
P-021	Rated input speed	n	10000 rpm	
P-022	Maximum input speed	n	21000 rpm	
P-023	Rated speed	v	0.41667 $\frac{\text{mm}}{\text{s}}$	
P-024	Maximum speed	v	0.875 $\frac{\text{mm}}{\text{s}}$	
P-034	Lifetime for rated operation		1000 h	
P-035	Radial backlash output shaft		0 μ m	
P-036	Axial backlash output shaft		0 μ m	
P-044	Max. axial load on output shaft (non-operating, impulsive load)	F	50 N	
P-055	Moment of inertia	I	$1823 \cdot 10^{-6}$ gcm ²	
P-056	Weight	m	30.47 g	

Technical Supply Specifications: RasuunDrive® HighAcc 10mm - Type 3



Micromotion GmbH, Phone: +49 (0) 6431 – 569 18 – 25, E-mail: sales@micromotion.de

Nr.	Parameter	Symbol	Value	Hint
P-057	Min. permissible ambient temperature (non-operating)	T	-35 °C	
P-058	Min. permissible ambient temperature (operating)	T	-20 °C	
P-059	Max. permissible ambient temperature (non-operating)	T	130 °C	
P-060	Max. permissible ambient temperature (operating)	T	70 °C	

Additional technical data:

- 2 digital limit sensors integrated

Motor data: Stepper AM 1020-2R-A0.25

Nr.	Parameter	Symbol	Value	Hint
P-100	Motortype		Stepper	
P-102	Maximum speed of motor	n	21000 rpm	
P-103	Resonance frequency of motor	f	140 Hz	
P-105	Holding torque of motor (unpowered)	T	0.2 mNm	
P-109	Rated current of motor	I	250 mA	
P-111	Rated voltage of motor	U	2 V	
P-112	Phase resistance of motor	R	8 ohm	
P-113	Inductance of motor	L	2.4 mH	
P-114	Amplitude BEMF of motor	U	0.6 mV/rpm	
P-115	Full step angle of motor		18 °	
P-116	Angular accuracy of step of motor		±1.8 °	
P-117	Electrical time constant of motor	t	0.32 ms	
P-118	Max. coil temperature of motor	T	130 °C	
P-119	Thermal resistance of motor between coil and housing	R _{th1}	3.9 ^{°/W}	
P-120	Thermal resistance of motor between housing and air	R _{th2}	53.8 ^{°/W}	
P-121	Thermal time constant of the coil of the motor	τ _{w1}	3200 ms	
P-122	Thermal time constant of the housing of the motor	τ _{w2}	200000 ms	
P-123	Insulation voltage of motor	U	200 V	

Encoder data

Technical Supply Specifications: RasuuDrive® HighAcc 10mm - Type 3



Micromotion GmbH, Phone: +49 (0) 6431 – 569 18 – 25, E-mail: sales@micromotion.de

Nr.	Parameter	Symbol	Value	Hint
P-201	Impulses per revolution of encoder		10	
P-202	Channels of encoder		A, B	
P-203	Frequency range of encoder	f	7.2 kHz	
P-204	Operating voltage of encoder	U	5 ±0.5 V	
P-205	Rated current consumption of encoder	I	5 mA	
P-207	Signal/phase shifting of encoder		90±45 °	
P-208	Signal build-up/decay time of encoder	t	5 / 0.2	

Data limit switch

Nr.	Parameter	Symbol	Value	Hint
P-302	Configuration Limit switches		n.c.	

Spindle data: Spindle unit MLP-10-SPM0047 – 40 mm travel range

Nr.	Parameter	Symbol	Value	Hint
P-402	Pitch	R	0.4 mm	

Material information

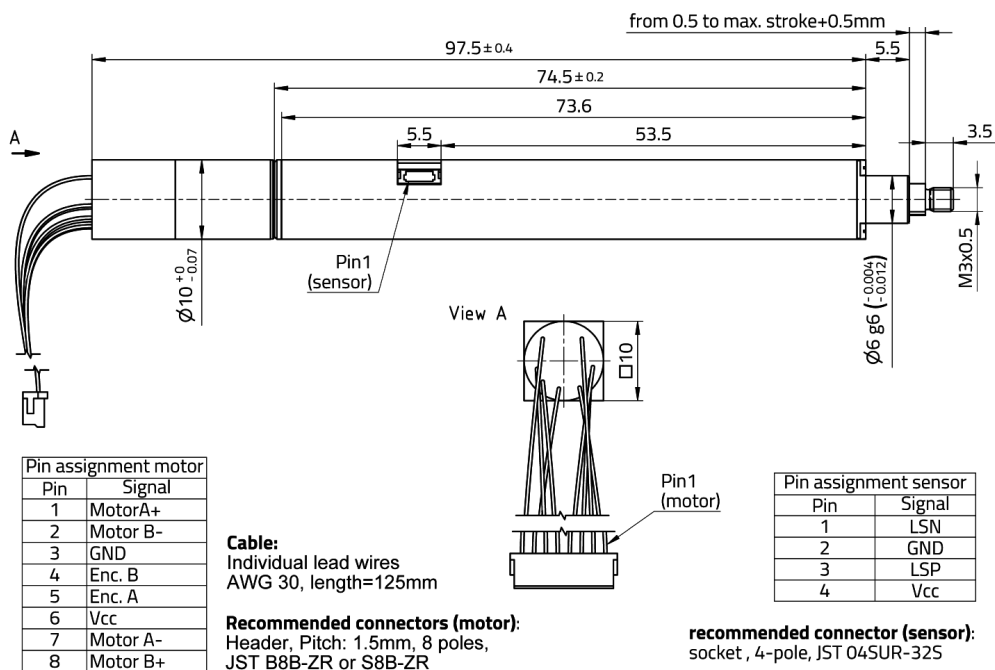
Nr.	Parameter	Symbol	Value	Hint
P-900	RoHS compliant		yes	
P-901	Lubrication of output bearing gearbox		Longtime PD2	
P-903	Lubrication of gear component set		Molykote BR 2 plus	
P-904	Lubrication of bearing motor		Synthetic light ester oil	
P-905	Lubrication of spindel-nut-system		Fomblin GRM60	
P-908	Material of gear component set		NiFe	
P-909	Material of output bearing gearbox		1.4108 DIN EN	
P-911	Material of bearing motor		Stainless steel	
P-912	Material of gearbox output side		1.4305 DIN EN	
P-914	Material of motor housing		Anodized aluminum	
P-917	Material of spindle		1.4104	

Technical Supply Specifications: RasunDrive® HighAcc 10mm - Type 3



Micromotion GmbH, Phone: +49 (0) 6431 – 569 18 – 25, E-mail: sales@micromotion.de

Technical drawing



Micromotion GmbH | Hoenbergstraße 14 | 65555 Limburg
+49(0)6431-59618-25 | sales@micromotion.de | www.micromotion-drives.com