



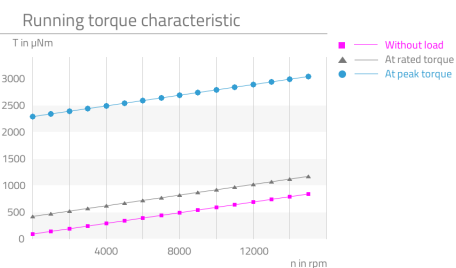
Attributes

Highlights	Description
<ul style="list-style-type: none"> ▪ Transmission ratio optimized to torque ▪ In- and Output shaft with toothing ▪ Custom designed connecting flange ▪ Preloaded ball bearing ▪ Lifetime lubrication 	<p>The CoograDrive® UHV 10mm - type 1 micro gearbox is a robust and reliable solution for extreme environmental conditions. It is specially designed for use in high-vacuum environments and uses Braycote as a lubricant for both the ball bearings and for the gear component set. Input shaft and output shaft are precisely guided by preloaded ball bearings and thereby allow the application to be directly connected. At the heart of this rugged micro gearbox is a low-backlash CoograDrive® gear with a reduction ratio of 40:1.</p>

Technical parameter

The stated values are based on calculations and measurements by Micromotion GmbH, carried out according to the current state of the art. You can find our definitions at www.micromotion-drives.com. For further information please contact sales@micromotion.de.

P-029



Technical Supply Specifications: CoograDrive® SpecialFlange 10mm - Type 2



Micromotion GmbH, Phone: +49 (0) 6431 – 569 18 – 25, E-mail: sales@micromotion.de

Nr.	Parameter	Symbol	Value	Hint
P-003	Ratio	i	80 : 1	
P-004	Self-locking		yes	
P-008	Repeatability unidirectional		3 arcmin	
P-009	Repeatability bidirectional		30 arcmin	
P-010	Accuracy		30 arcmin	
P-011	Transmission accuracy		60 arcmin	
P-013	Torsional stiffness		3.80 $\frac{\text{Nm}}{\text{rad}}$	
P-014	Lost motion		30 arcmin	
P-015	Backlash		20 arcmin	
P-016	Rated torque	T	15 mNm	
P-017	Peak torque	T	100 mNm	
P-018	Momentary peak torque	T	120 mNm	
P-021	Rated input speed	n	10000 rpm	
P-022	Maximum input speed	n	30000 rpm	
P-023	Rated output speed	n	125 rpm	
P-024	Maximum output speed	n	375 rpm	
P-026	No-load starting torque	T	135 μNm	
P-027	No-load running torque	T	90 μNm	
P-028	Rated running torque	T	830 μNm	
P-034	Lifetime for rated operation		1000 h	
P-035	Radial backlash output shaft		0 μm	
P-036	Axial backlash output shaft		0 μm	
P-037	Radial stiffness	c	1.91 N/ μm	
P-038	Axial stiffness	c	40 N/ μm	
P-039	Max. radial load on output shaft (non-operating, constant load)	F	50 N	
P-040	Max. radial load on output shaft (non-operating, impulsive load)	F	15 N	
P-041	Max. radial load on output shaft (operating, constant load)	F	6 N	
P-042	Max. radial load on output shaft (operating, impulsive load)	F	6 N	
P-043	Max. axial load on output shaft (non-operating, constant load)	F	150 N	
P-044	Max. axial load on output shaft (non-operating, impulsive load)	F	50 N	
P-045	Max. axial load on output shaft (operating, constant load)	F	380 N	

Technical Supply Specifications: CoograDrive® SpecialFlange 10mm - Type 2



Micromotion GmbH, Phone: +49 (0) 6431 – 569 18 – 25, E-mail: sales@micromotion.de

Nr.	Parameter	Symbol	Value	Hint
P-046	Max. axial load on output shaft (operating, impulsive load)	F	127 N	
P-047	Max. radial load on input shaft (non-operating, constant load)	F	20 N	
P-048	Max. radial load on input shaft (non-operating, impulsive load)	F	6 N	
P-049	Max. radial load on input shaft (operating, constant load)	F	8 N	
P-050	Max. radial load on input shaft (operating, impulsive load)	F	6 N	
P-051	Max. axial load on input shaft (non-operating, constant load)	F	64 N	
P-052	Max. axial load on input shaft (non-operating, impulsive load)	F	20 N	
P-053	Max. axial load on input shaft (operating, constant load)	F	185 N	
P-054	Max. axial load on input shaft (operating, impulsive load)	F	66 N	
P-055	Moment of inertia	I	$75.01 \cdot 10^{-4}$ gcm ²	
P-056	Weight	m	9 g	
P-057	Min. permissible ambient temperature (non-operating)	T	-80 °C	
P-058	Min. permissible ambient temperature (operating)	T	-20 °C	
P-059	Max. permissible ambient temperature (non-operating)	T	150 °C	
P-060	Max. permissible ambient temperature (operating)	T	120 °C	

Material information

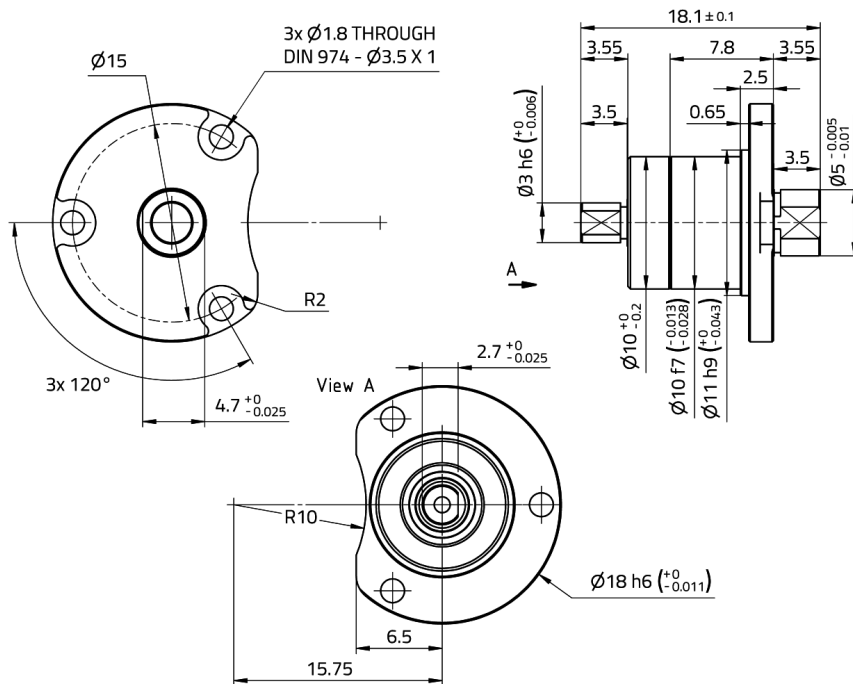
Nr.	Parameter	Symbol	Value	Hint
P-900	RoHS compliant		yes	
P-901	Lubrication of output bearing gearbox		Longtime PD2	
P-902	Lubrication of input bearing gearbox		Longtime PD2	
P-908	Material of gear component set		NiFe	
P-909	Material of output bearing gearbox		1.4108 DIN EN	
P-910	Material of input bearing gearbox		1.4108 DIN EN	
P-912	Material of gearbox output side		1.4305 DIN EN	
P-913	Material of gearbox input side		1.4305 DIN EN	

Technical Supply Specifications: CoograDrive® SpecialFlange 10mm - Type 2



Micromotion GmbH, Phone: +49 (0) 6431 – 569 18 – 25, E-mail: sales@micromotion.de

Technical drawing



Micromotion GmbH | Hoenbergstraße 14 | 65555 Limburg
+49(0)6431-59618-25 | sales@micromotion.de | www.micromotion-drives.com