

> RasuunDrive®

BallScrew 12mm - Type 4

Attributes

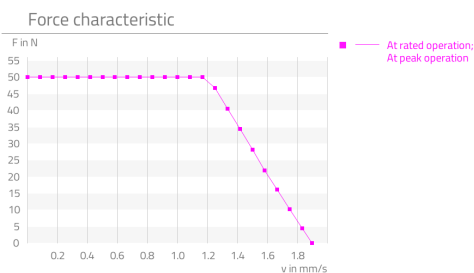
Highlights	Description
<ul style="list-style-type: none">▪ Flexible integration▪ Preloaded ball bearing▪ Robust control without feedback system▪ Ball screw▪ Transmission ratio optimized to torque	<p>The RasuunDrive® BallScrew 12mm - type 4 provides an impressive travelrange of up to 10 mm. This is possible thanks to the combination of a stepper motor (20 steps per rotation) with a sturdy, low backlash CoograDrive® gear and a ball screw. The CoograDrive® gear comes with a reduction ratio of 80:1, directly integrated in the bearing of the gear output shaft is the ball screw with a pitch of 1 mm.</p>

Technical parameter

The stated values are based on calculations and measurements by Micromotion GmbH, carried out according to the current state of the art. You can find our definitions at www.micromotion-drives.com.

For further information please contact sales@micromotion.de.

P-019



Technical Supply Specifications: RasuunDrive® BallScrew 12mm - Type 4



Micromotion GmbH, Phone: +49 (0) 6431 – 569 18 – 25, E-mail: sales@micromotion.de

Nr.	Parameter	Symbol	Value	Hint
P-003	Ratio	i	80 : 1	
P-004	Self-locking		yes	
P-005	Travel range	s	10 mm	
P-008	Repeatability unidirectional		0.5 µm	
P-009	Repeatability bidirectional		2 µm	
P-010	Accuracy		20 µm	
P-012	Resolution		0.625 µm	
P-014	Lost motion		10 µm	
P-015	Backlash		5 µm	
P-016	Rated force	F	50 N	
P-017	Peak force	F	50 N	
P-018	Momentary peak force	F	50 N	
P-021	Rated input speed	n	10000 rpm	
P-022	Maximum input speed	n	21000 rpm	
P-023	Rated speed	v	2.08333 mm/s	
P-024	Maximum speed	v	4.375 mm/s	
P-034	Lifetime for rated operation		1000 h	
P-035	Radial backlash output shaft		0 µm	
P-036	Axial backlash output shaft		0 µm	
P-044	Max. axial load on output shaft (non-operating, impulsive load)	F	50 N	
P-055	Moment of inertia	I	1888.04 * 10 ⁻⁴ gcm ²	
P-056	Weight	m	23 g	
P-057	Min. permissible ambient temperature (non-operating)	T	-35 °C	
P-058	Min. permissible ambient temperature (operating)	T	-20 °C	
P-059	Max. permissible ambient temperature (non-operating)	T	130 °C	
P-060	Max. permissible ambient temperature (operating)	T	70 °C	

Motor data: [Stepper DM1220-2R-0330-051](#)

(Data are provided by the manufacturer or are based on the data sheets of the manufacturer)

Technical Supply Specifications: RasunDrive® BallScrew 12mm - Type 4



Micromotion GmbH, Phone: +49 (0) 6431 – 569 18 – 25, E-mail: sales@micromotion.de

Nr.	Parameter	Symbol	Value	Hint
P-100	Motortype		Stepper	
P-102	Maximum speed of motor	n	21000 rpm	
P-103	Resonance frequency of motor	f	128 Hz	
P-105	Holding torque of motor (unpowered)	T	0.15 mNm	
P-109	Rated current of motor	I	330 mA	
P-111	Rated voltage of motor	U	2 V	
P-112	Phase resistance of motor	R	4.5 ohm	
P-113	Inductance of motor	L	1.3 mH	
P-114	Amplitude BEMF of motor	U	0.566 mV/rpm	
P-115	Full step angle of motor		18 °	
P-116	Angular accuracy of step of motor		0.54 °	
P-118	Max. coil temperature of motor	T	130 °C	
P-119	Thermal resistance of motor between coil and housing	R _{th1}	11.9 ^K /W	
P-120	Thermal resistance of motor between housing and air	R _{th2}	46.5 ^K /W	
P-121	Thermal time constant of the coil of the motor	T _{w1}	5000 ms	
P-122	Thermal time constant of the housing of the motor	T _{w2}	300000 ms	
P-123	Insulation voltage of motor	U	200 V	

Spindle data: Ball screw – 10 mm travel range pitch 1 mm 1112. /1.3.25.34R P5*
(Data are provided by the manufacturer or are based on the data sheets of the manufacturer)

Nr.	Parameter	Symbol	Value	Hint
P-402	Pitch	R	1 mm	

Material information

Nr.	Parameter	Symbol	Value	Hint
P-900	RoHS compliant		yes	
P-901	Lubrication of output bearing gearbox		Longtime PD2	
P-903	Lubrication of gear component set		Molykote BR 2 plus	
P-904	Lubrication of bearing motor		Synthetic light ester oil	

Technical Supply Specifications: RasuunDrive® BallScrew 12mm - Type 4



Micromotion GmbH, Phone: +49 (0) 6431 – 569 18 – 25, E-mail: sales@micromotion.de

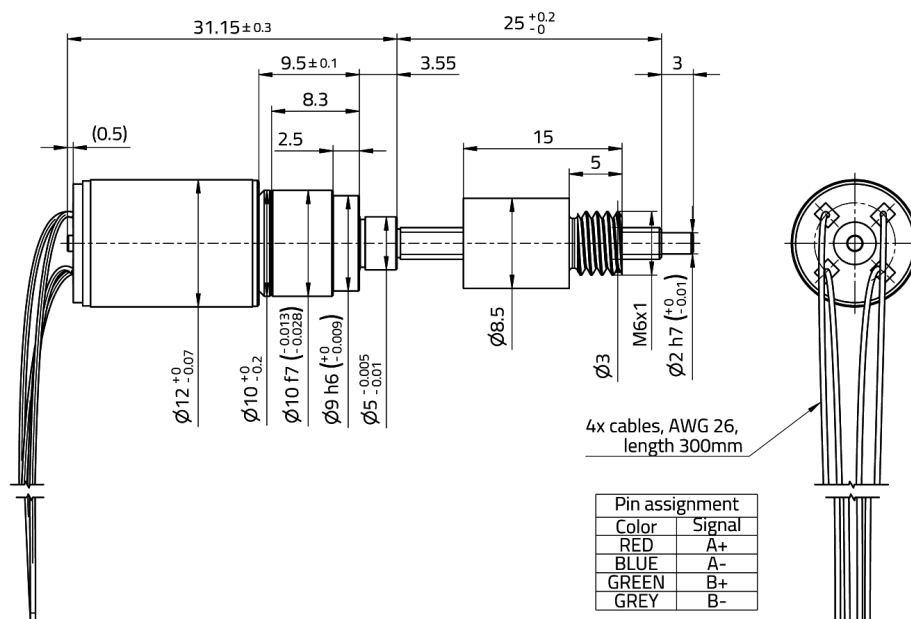
Nr.	Parameter	Symbol	Value	Hint
P-905	Lubrication of spindel-nut-system		Isoflex NBU 15	
P-908	Material of gear component set		NiFe	
P-909	Material of output bearing gearbox		1.4108 DIN EN	
P-911	Material of bearing motor		stainless steel	
P-912	Material of gearbox output side		1.4305 DIN EN	
P-914	Material of motor housing		Anodized aluminum	
P-917	Material of spindle		1.4034	

Technical Supply Specifications: RasunDrive® BallScrew 12mm - Type 4



Micromotion GmbH, Phone: +49 (0) 6431 – 569 18 – 25, E-mail: sales@micromotion.de

Technical drawing



Micromotion GmbH | Hoenbergstraße 14 | 65555 Limburg
+49(0)6431-59618-25 | sales@micromotion.de | www.micromotion-drives.com